



Scan below for more information:



Product Documentation



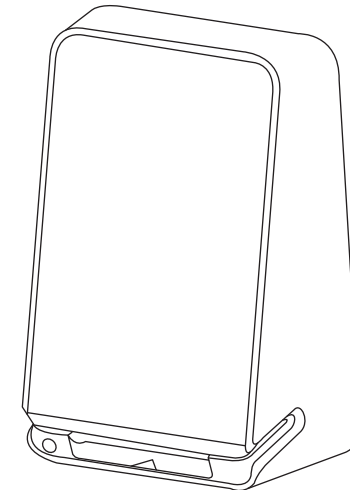
Regulatory + Compliance

or visit:

<https://www.verifone.com/en/us/product-documentation>

<https://www.verifone.com/en/us/verifone-regulatory-and-compliance-sheets>

Quick Installation Guide



UX700-ML

Verifone Part Number DOC184-013-EN-A
Revision A

© 2023 VeriFone, Inc.

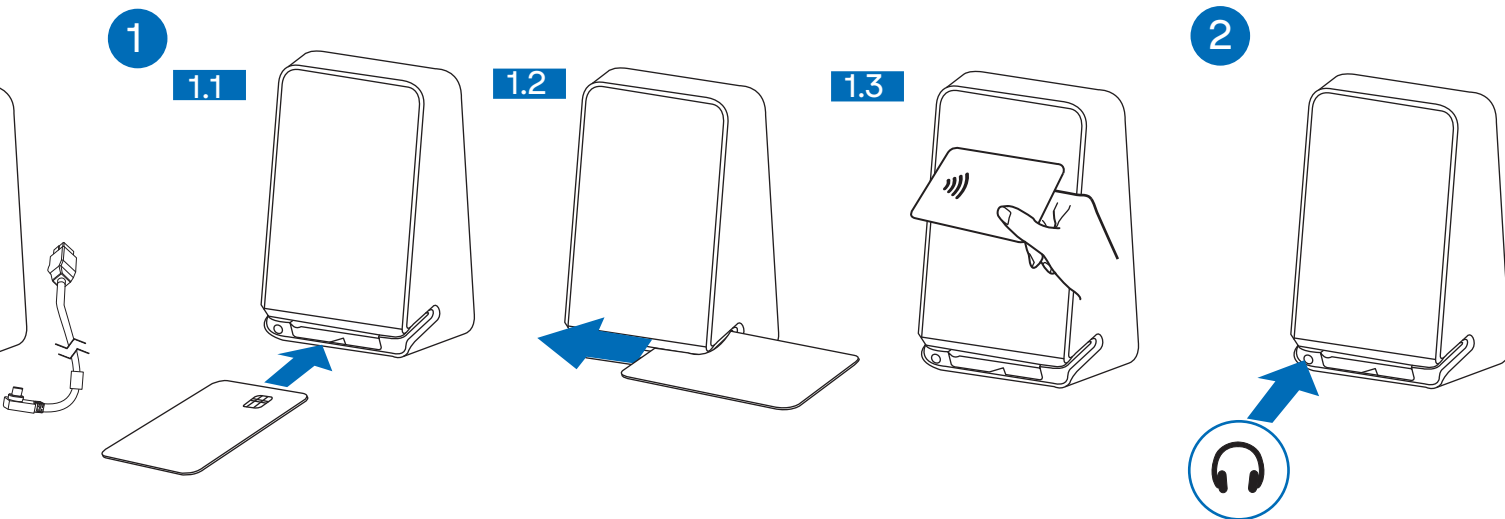
UX700-ML



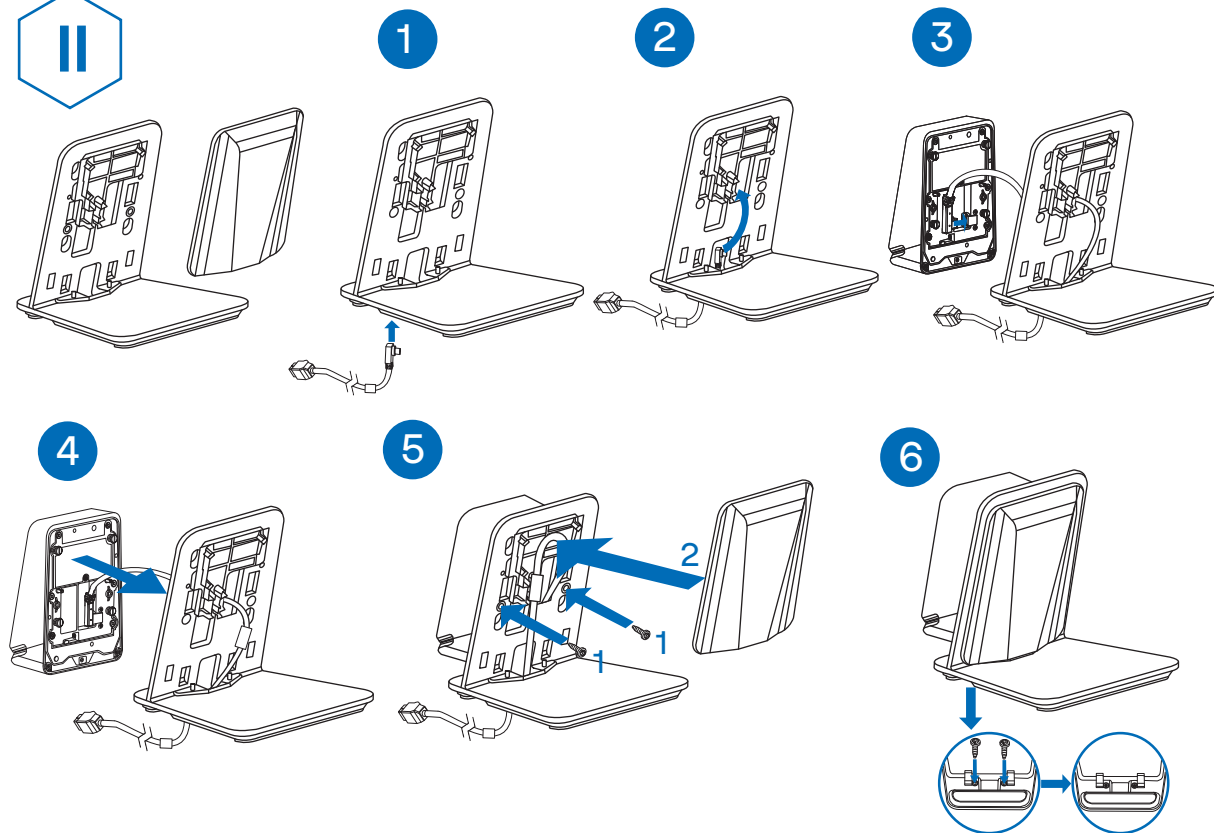
I



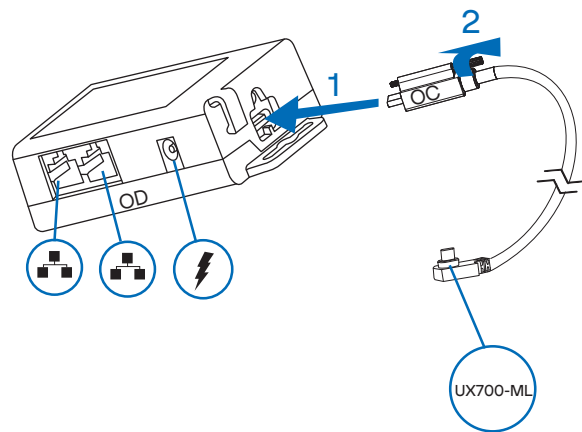
X4



II



III



OD - Orange Dongle D0/D1/D2/D3
OC - Orange Cable U1/U2

