



verifone

T650m Single Bookshelf Charger

Scan below for more information:



Product Documentation



Regulatory + Compliance

or visit:

<https://www.verifone.com/en/us/product-documentation>

<https://www.verifone.com/en/us/verifone-regulatory-and-compliance-sheets>

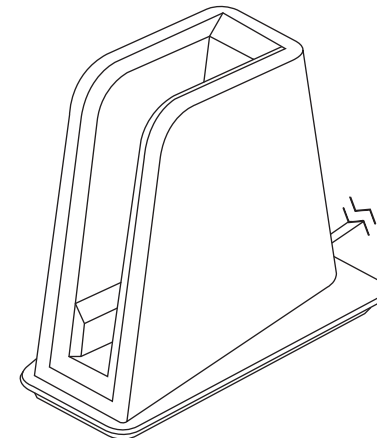
Quick Installation Guide



T650m Single Bookshelf Charger

Verifone Part Number DOC560-045-EN-A
Revision A02

© 2023 VeriFone, Inc.



T650m Single Bookshelf Charger

