



verifone

T650m Multi Bookshelf Charger

Scan below for more information:



Product
Documentation



Regulatory +
Compliance

or visit:

<https://www.verifone.com/en/us/product-documentation>

<https://www.verifone.com/en/us/verifone-regulatory-and-compliance-sheets>

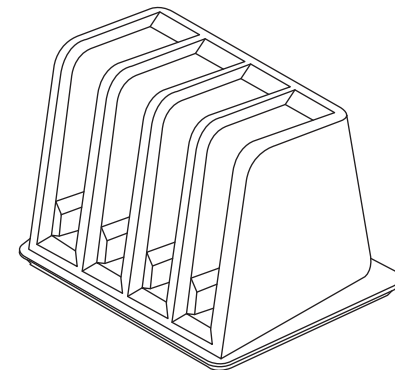
Quick Installation Guide



T650m Multi Bookshelf Charger

Verifone Part Number DOC560-046-EN-A
Revision A01

© 2023 VeriFone, Inc.



T650m Multi Bookshelf Charger

